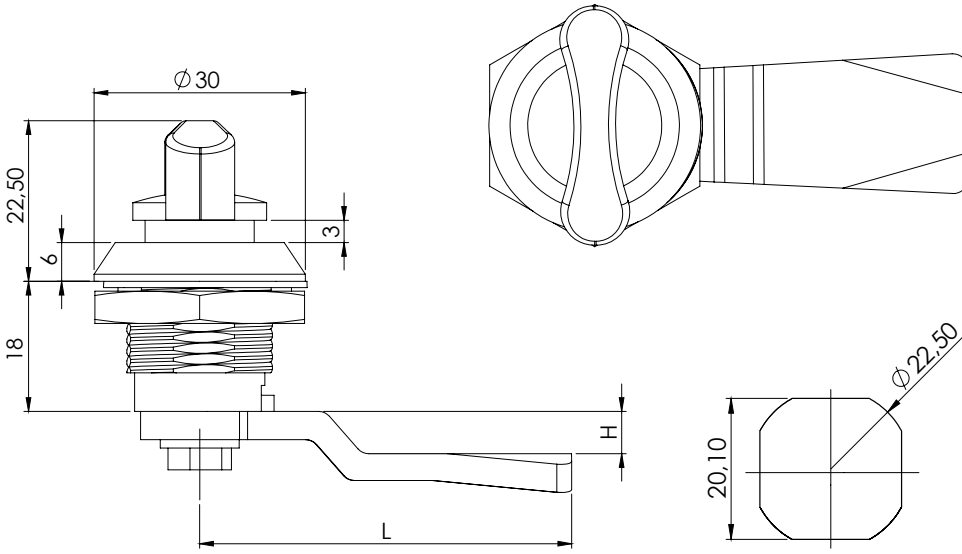


## YAYLI PANO KİLİTLERİ QUARTER TURN CAM LOCKS

### Yaylı Pano Kilidi (Plastik Kelebek) / Quarter Turn Wing Knob-Plastic

256



Kod  
Code  
**256**

Dil  
Cam  
**CM**

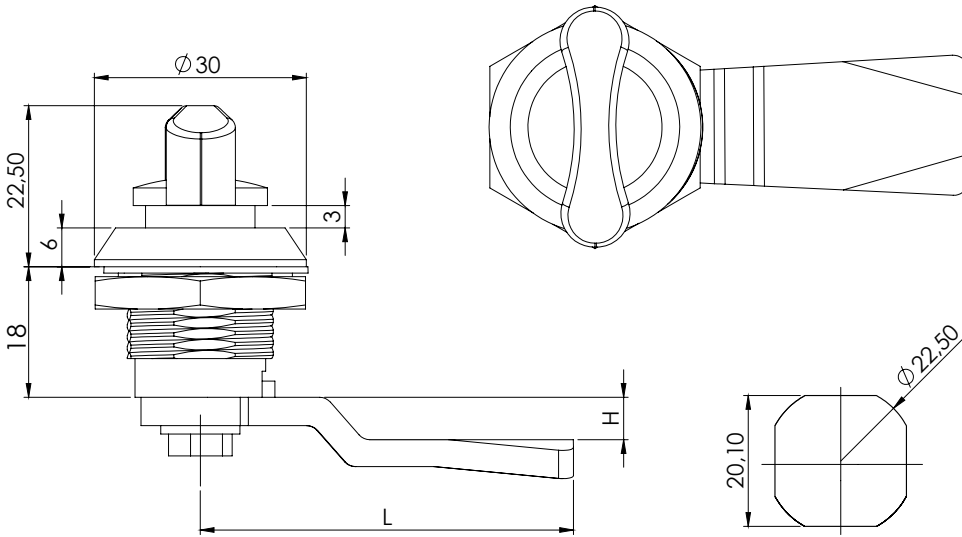


#### MALZEME / MATERIAL

KOVAN HOUSING	Poliamid Polyamide
KELEBEK KNOB	Poliamid Polyamide
SOMUN NUT	Zamak Zinc Die
DİL CAM	Çelik Steel

### Yaylı Pano Kilidi (Metal Kelebek) / Quarter Turn Wing Knob

256



Kod  
Code  
**256**

Version  
**V1**

Dil  
Cam  
**CM**



VERSION

**V1**

#### KULLANIM ALANLARI:

Elektrik Panoları, Makine Kapakları

#### APPLICATIONS:

Electric Panels, Machinery Covers

#### MALZEME / MATERIAL

KOVAN HOUSING	Poliamid Polyamide
KELEBEK KNOB	Zamak Zinc Die
SOMUN NUT	Zamak Zinc Die
DİL CAM	Çelik Steel

#### İSP. TIRNAKLI DİLLER / CAMS FOR ROD CONTROL (CM)

CODE	03	020	053	054	055	064
H	8	0	0	12	4	0
L	49	51	60	54	52	55

#### TIRNAKLI DİLLER / CAMS WITH STOPPER (CM)

CODE	01	02	05	06	07	08	09	010	012	018	019	043	045	046	047	052	059	060	061	086
H	14	24	0	16	6	12	0	7	-12	0	0	0	4	10	-4	-2	15	12	5	6
L	48	48	46	46	52	50	54	44	50	29	64	44	43	48	46	52	44	44	45	62